



**宗申动力**  
ZONG SHEN POWER

<b>Model: NH150</b>	
<b>BOM No: 1TZZQGN08</b>	
<b>NH150</b>	
<b>NH150</b>	
<b>V01</b>	
<b>2018-12-26</b>	

**Appearance**

**NH150 Engine Specifications**

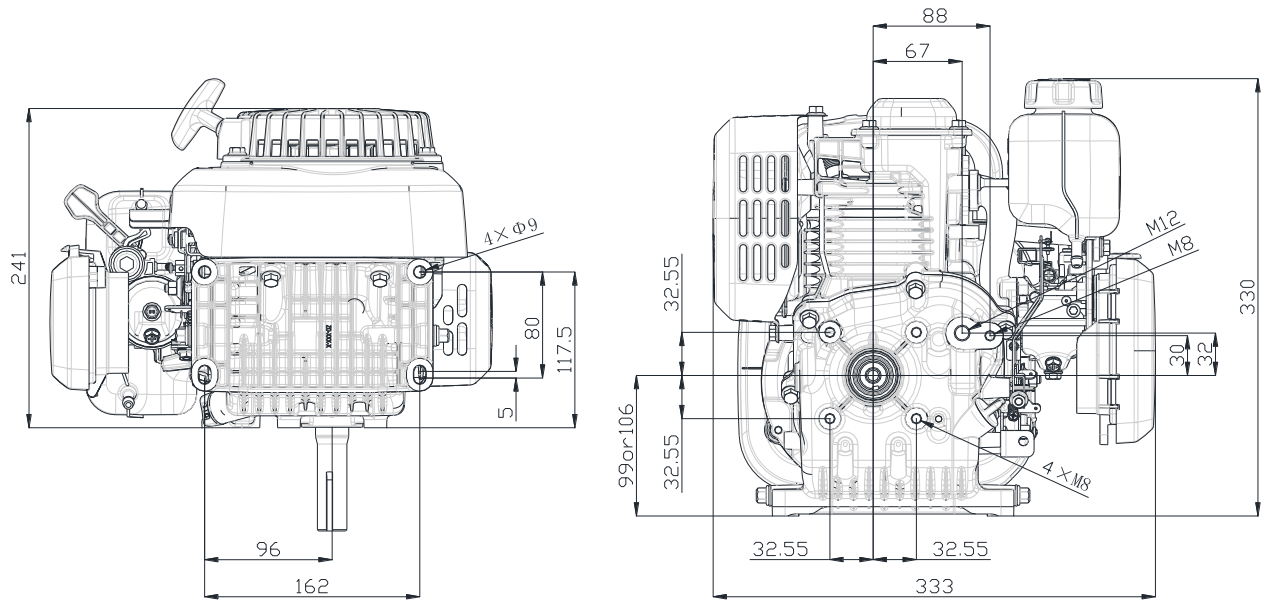
NH130/150 engines are designed to fit a very wide range of applications. Two PTO shaft heights are available to ensure that you can find an engine to fit your machine. PTO heights are 99mm or 106mm. A wide range of PTO shafts are available including 3/4 inch.



Displacement (cc)	<b>149</b>
Bore × stroke (mm)	<b>64x45</b>
Oil quantity (cc)	<b>500</b>
Recommended oil	<b>10W-30</b>
Fuel tank volume (cc)	<b>1200</b>
Starting System	<b>Recoil</b>
Ambient temperature (°C)	<b>5-40</b>
Operation counts	<b>≤3</b>
Idle speed (r/min)	<b>1400</b>
Start idle (r/min)	<b>1440</b>
Idle speed control	<b>Spring</b>
Rated power (kW/rpm)	<b>2.5/3600</b>
Speed control power(kW/r)	<b>2.5/3300</b>
Max torque (Nm/rpm)	<b>7.2/2600</b>
Fuel type	<b>92#</b>
Net weight (kg)	<b>10</b>
Certification	<b>EPA</b>
Endurance time (h)	<b>500</b>
Filter configuration	<b>FOAM</b>
Adjust Speed type	<b>Manual mechanical adjustment</b>
Choke control	<b>Manual</b>
Exhaust direction	<b>Side</b>
Pulling direction	<b>12 o'clock</b>
Fuel switch	<b>Y</b>
Flameout method	<b>Manual Flameout Switch</b>
Oil alarm	<b>Y</b>
PTO shaft size	<b>5/8" or 3/4"</b>
Component special status confirmation	<b>Y</b>
Application (s)	<b>General Purpose</b>

\*Pictures shown are for illustration purpose only. Actual product may vary due to product enhancement.

Machine and side cover installation size



**PTO Shaft Height 99mm and 106mm available.**