



宗申动力
ZONG SHEN POWER

Model: NH130	
BOM No: 1TZZQGN07	
NH100	
NH100	
V01	
2018-12-26	

Appearance

NH130/150 engines are designed to fit a very wide range of applications. Two PTO shaft heights are available to ensure that you can find an engine to fit your machine. PTO heights are 99mm or 106mm. A wide range of PTO shafts are available including 3/4 inch.

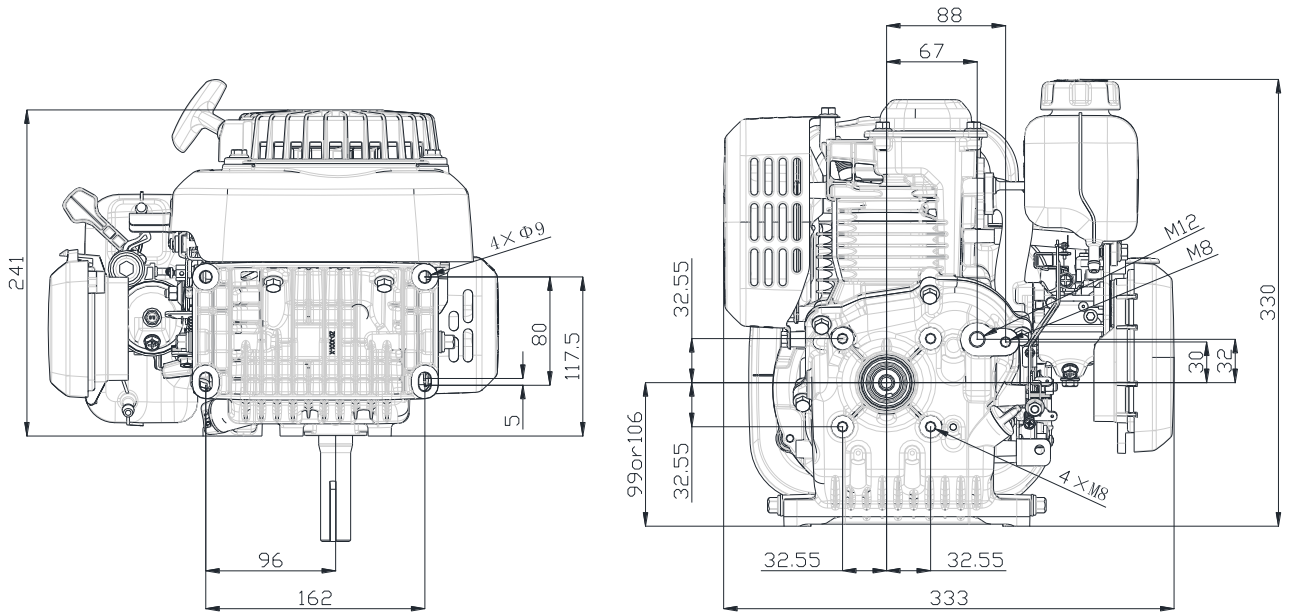


NH130 Engine Specifications

Displacement (cc)	132
Bore × stroke (mm)	61x45
Oil quantity (cc)	500
Recommended oil	10W-30
Fuel tank volume (cc)	1200
Starting System	Recoil
Ambient temperature (°C)	5-40
Operation counts	≤3
Idle speed (r/min)	1400
Start idle (r/min)	1440
Idle speed control	Spring
Rated power (kW/rpm)	2.2/3600
Speed control power(kW/r)	2.2/3300
Max torque (Nm/rpm)	6.5/2600
Fuel type	92#
Net weight (kg)	9.9
Certification	EPA
Endurance time (h)	500
Filter configuration	FOAM
Adjust Speed type	Manual mechanical adjustment
Choke control	Manual
Exhaust direction	Side
Pulling direction	12 o'clock
Fuel switch	Y
Flameout method	Manual Flameout Switch
Oil alarm	Y
PTO shaft size	5/8" or 3/4"
Component special status confirmation	Y
Application (s)	General Purpose

*Pictures shown are for illustration purpose only. Actual product may vary due to product enhancement.

Machine and side cover installation size



PTO Shaft Height 99mm and 106mm available.