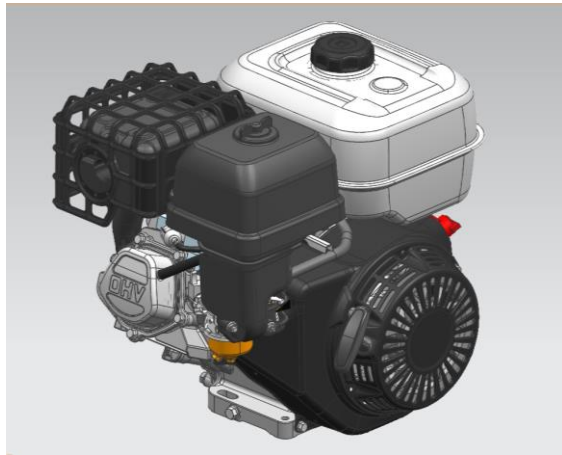




宗申动力
ZONG SHEN POWER

GB420E
BOM No
GB420E
GB420E
V01
2018-12-26

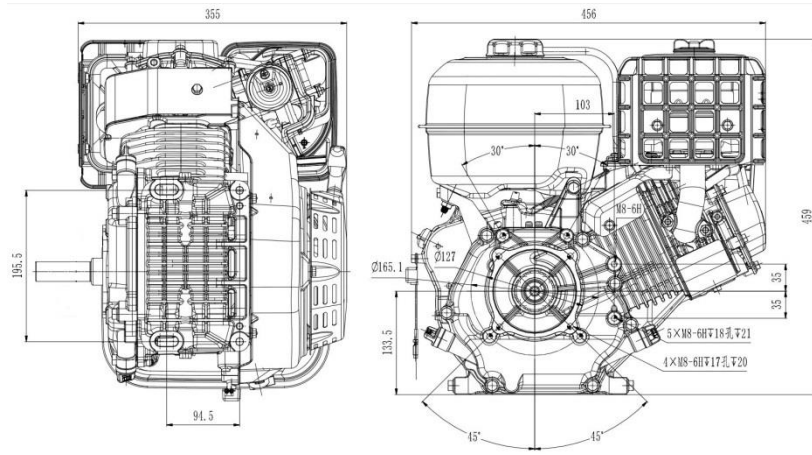
Appearance



GB420E Engine Specifications

Displacement (cc)	420
Bore × stroke (mm)	90×66
Oil quantity (cc)	1100
Recommended oil	10W-30
Fuel tank volume (cc)	6000
Starting System	Recoil+12V E-start
Ambient temperature (°C)	-10~40
Operation counts	≤3
Idle speed (r/min)	1400
Start idle (r/min)	1400
Idle speed control	Spring
Rated power (kW/rpm)	9.0/3600
Speed control power(kW/r)	8.2/3200
Max torque (N · m/rpm)	27/2600
Fuel type	92#
Net weight (kg)	30.5、33.5 (E)
Certification	EC(V)
Endurance time (h)	500
Filter configuration	PAPER+FOAM
Adjust Speed type	Manual machinery control
Choke control	MANUAL CHOKE
Exhaust direction	SIDE
Pulling direction	12'clock
Fuel switch	Y
Flameout method	Manual flameout switch
Oil alarm	Y
PTO	/
Charging coil	DC12V10W
Component special status confirmation	Y
Application	General purpose
Main parameters of the terminal (customer fill in)	
Water pressure (psi)	
Effluent flow (GPM)	
Working speed (r/min)	
Idle speed	
start at idle speed	

Machine and side cover installation size



PTO output mounting size

目前暂无此客户 BOM，后期根据客户需求提供曲轴输出端尺寸

包装信息:

备注 (客户其他特殊要求):

- 1、
- 2、
- 3、