

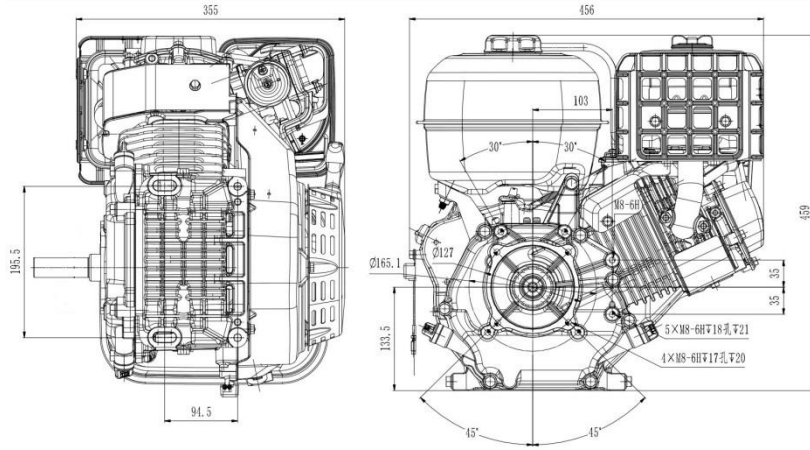


**宗申动力**  
ZONG SHEN POWER

<b>GB420</b>
<b>BOM No</b>
<b>GB420</b>
<b>GB420</b>
<b>V01</b>
<b>2018-12-26</b>

Appearance	GB420E Engine Specifications	
	Displacement (cc)	<b>420</b>
	Bore × stroke (mm)	<b>90×66</b>
	Oil quantity (cc)	<b>1100</b>
	Recommended oil	<b>10W-30</b>
	Fuel tank volume (cc)	<b>6000</b>
	Starting System	<b>Recoil</b>
	Ambient temperature (°C)	<b>-10~40</b>
	Operation counts	<b>≤3</b>
	Idle speed (r/min)	<b>1400</b>
	Start idle (r/min)	<b>1400</b>
	Idle speed control	<b>Spring</b>
	Rated power (kW/rpm)	<b>9.0/3600</b>
	Speed control power(kW/r)	<b>8.2/3200</b>
	Max torque (N · m/rpm)	<b>27/2600</b>
	Fuel type	<b>92#</b>
	Net weight (kg)	<b>30.5、33.5 (E)</b>
	Certification	<b>EC(V)</b>
	Endurance time (h)	<b>500</b>
	Filter configuration	<b>PAPER+FOAM</b>
	Adjust Speed type	<b>Manual machinery control</b>
	Choke control	<b>MANUAL CHOKE</b>
	Exhaust direction	<b>SIDE</b>
	Pulling direction	<b>12'clock</b>
	Fuel switch	<b>Y</b>
	Flameout method	<b>Manual flameout switch</b>
	Oil alarm	<b>Y</b>
	PTO	<b>/</b>
	Component special status confirmation	<b>Y</b>
Application	<b>General purpose</b>	
<b>Main parameters of the terminal product</b>		
Water pressure (psi)		
Effluent flow (GPM)		
Working speed (r/min)		
Idle speed		
start at idle speed		

Machine and side cover installation size



PTO output mounting size

目前暂无此客户 BOM，后期根据客户需求提供曲轴输出端尺寸

包装信息:


备注 (客户其他特殊要求):

- 1、
- 2、
- 3、