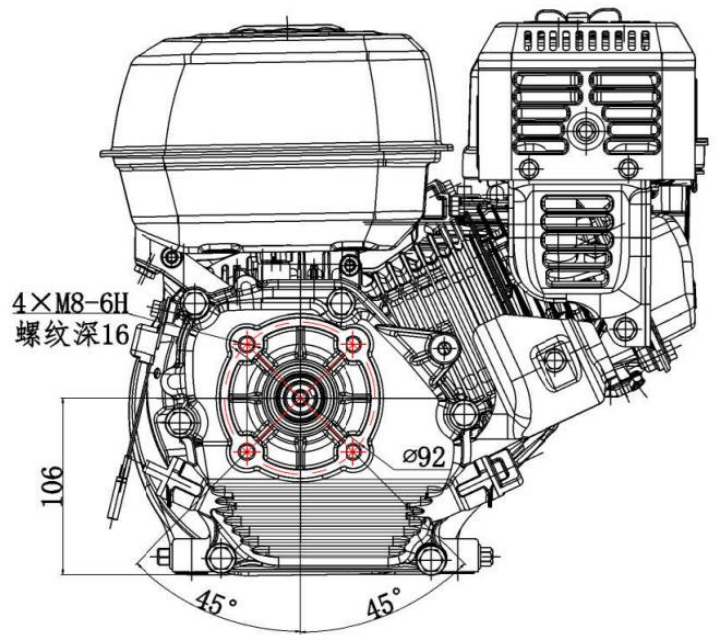
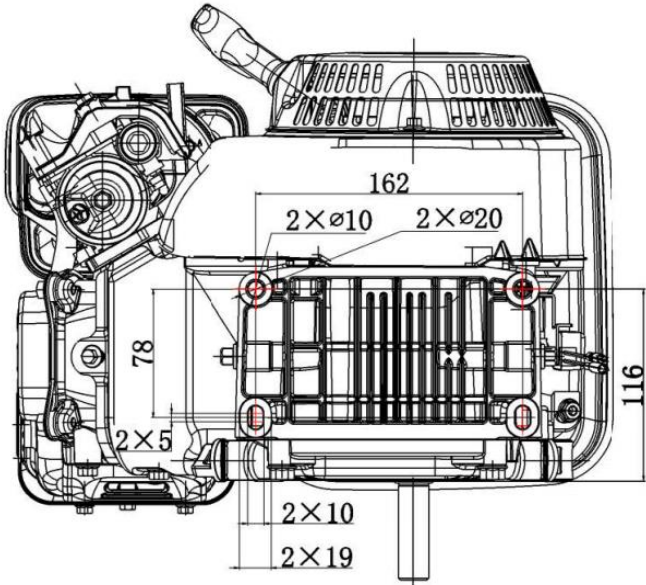
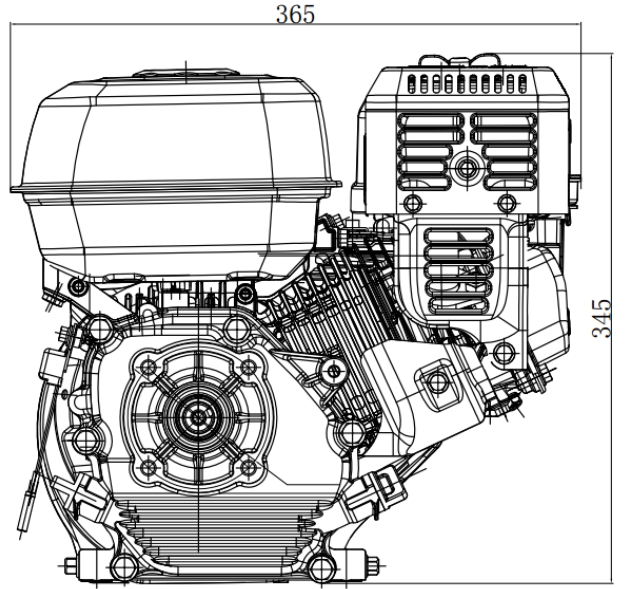
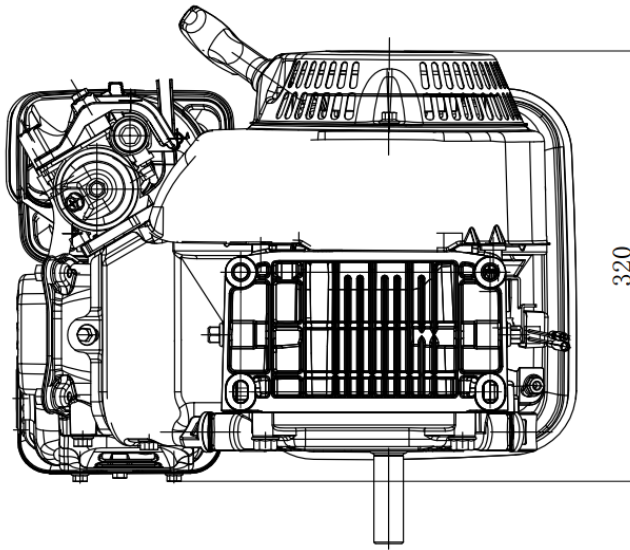




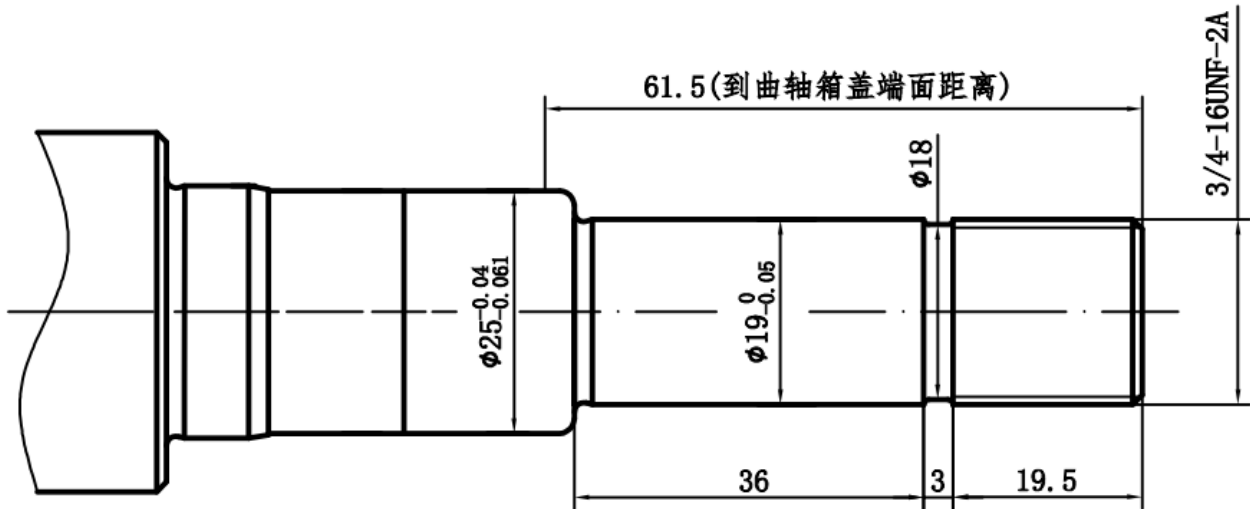
GB225	
BOM No 1T4JQW25E	
GB225	
GB225	
V012018-12-26	

Appearance	GB225 Engine Specifications	
	Displacement (cc)	224
	Bore × stroke (mm)	72×55
	Oil quantity (cc)	400~600
	Recommended oil	10W-30
	Fuel tank volume (cc)	2600
	Starting System	Recoil
	Ambient temperature (°C)	5-40
	Operation counts	≤3
	Idle speed (r/min)	3780±60
	Start idle (r/min)	1440±144
	Idle speed control	Spring
	Rated power (kW/rpm)	4.5/3600
	Speed control power(kW/r)	4.2/3200
	Max torque (N · m/rpm)	12.5/2600
	Fuel type	92#
	Net weight (kg)	18.7
	Certification	CE+EC(V)
	Endurance time (h)	500
	Filter configuration	PAPER+FOAM
	Adjust Speed type	Manual machinery control
	Choke control	MANUAL CHOKE
	Exhaust direction	Front side
	Pulling direction	12'CLOCK
	Fuel switch	Y
	Flameout method	Manual Flameout switch
	Oil alarm	Y
	PTO	24#
	Charging coil	RECTIFYING 12V10W
Component special status confirmation	T	
Application	WATER PUMP	
Main parameters of the terminal		
Water pressure (psi)		
Effluent flow (GPM)		
Working speed (r/min)		
Idle speed		
start at idle speed		

Machine and side cover installation size



PTO output mounting size



包装信息:

备注 (客户其他特殊要求):

- 1、
- 2、
- 3、